

# Practibox<sup>3</sup>

ELEGANT &  
PRACTICAL



8/12 AND 18 MODULES/ROW  
FLUSH-MOUNTING DISTRIBUTION CABINETS

[-> CATALOGUE PAGES INSIDE](#)

**THE GLOBAL SPECIALIST**  
IN ELECTRICAL AND DIGITAL BUILDING INFRASTRUCTURES

 **legrand**<sup>®</sup>

# WITH PRACTIBOX<sup>3</sup> CABINETS ARE NO LONGER HIDDEN

Pure design  
& easy to use  
cabinets

These new, ready-to-use flush-mounting distribution cabinets have a uncluttered design and a top quality finish. But over and above its attractive appearance, its special ergonomic design gives both users and installers maximum ease of use.

ULTRA-FLAT



DESIGNED FOR  
RESIDENTIAL AND  
SMALL COMMERCIAL  
INSTALLATIONS

A STYLISH DOOR  
Fitting close to the wall, the white or transparent smoked finish doors on Practibox<sup>3</sup> cabinets are ultra-flat and smooth, so that the cabinets blend in perfectly with today's interiors.

180° OPENING

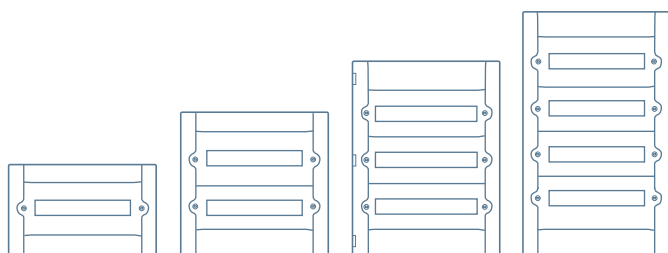


**REVERSIBLE DOOR**  
Integrated hinges to attach the door on the required side\*  
Patented Legrand system

**INTEGRATED HANDLE**  
The discrete, flush handle can take a key lock

**EASY CLOSING**  
With magnets inside the door\*

[\*] From the 2-row version upwards



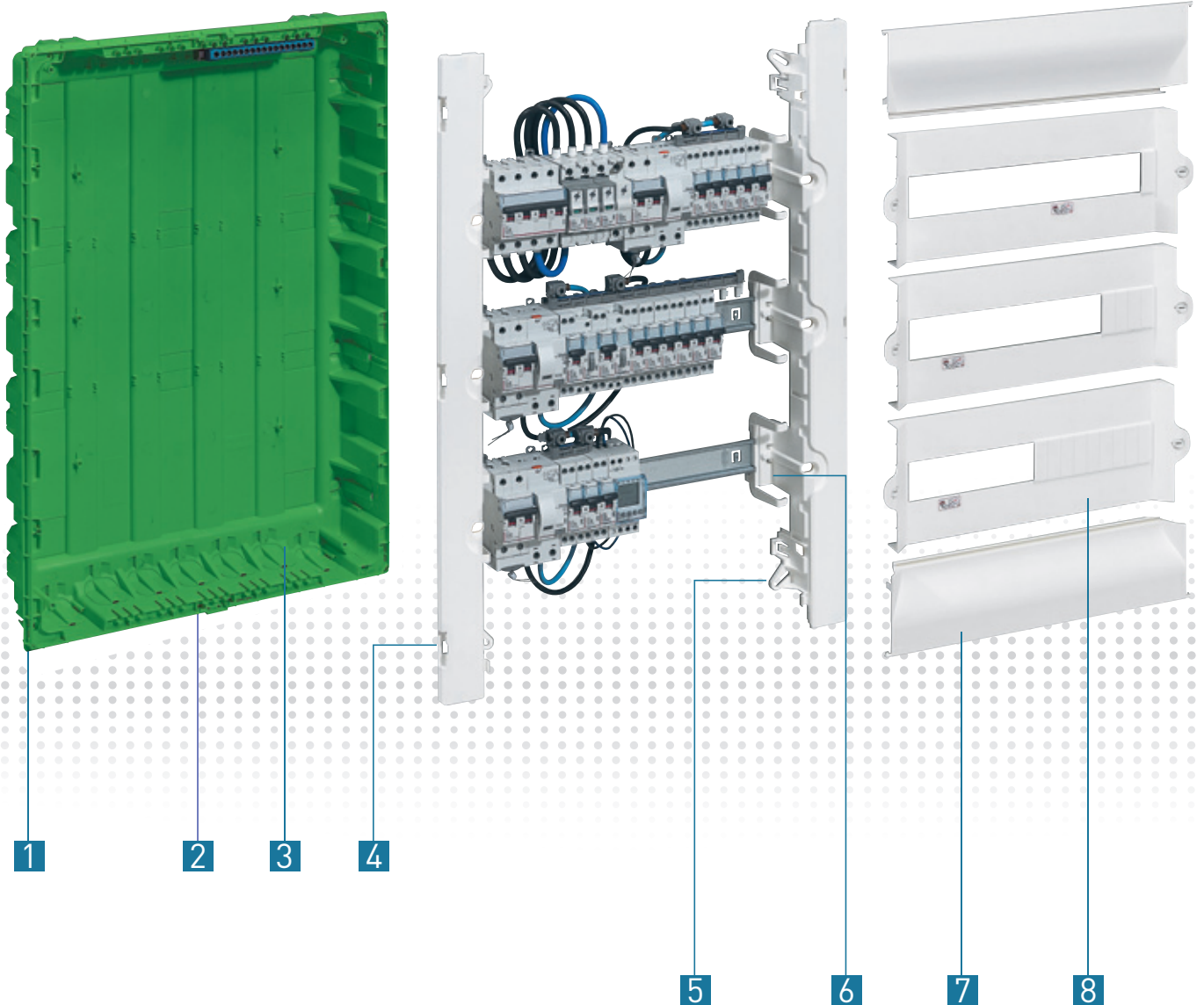
### THE PRACTIBOX<sup>3</sup> CABINET RANGE

These ready-to-use cabinets are available in different sizes with 1 to 4 rows, and with a capacity of 8/12 or 18 modules per row. They are supplied with a white or transparent smoked finish door and with screw connection earth and neutral terminal blocks (depending on the version)

# WITH PRACTIBOX<sup>3</sup> STRENGTH AND EASY INSTALLATION

**Robust,  
easy to  
install**

From the chassis and faceplates through to the rigid, practical flush-mounting box, everything has been designed to ensure that on-site installation is straightforward and easy, whatever material they are mounted in and whatever the configuration, in line with the applicable standards.



## THE GUARANTEE OF A ROBUST RANGE

Fire resistance

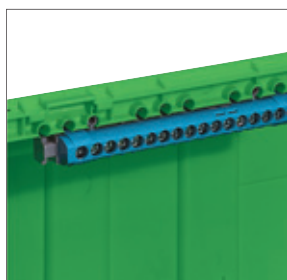
**up to 850°**

Conforming to standards

**IEC 60670-24  
IEC 62208  
IEC 61439-3**



**1 FLUSH-MOUNTING BOX**  
Strength and optimum rigidity, thanks to its material and shape suitable for all types of material (masonry or dry partitions, using the special kit)



**2 IP2X CHASSIS**  
Additional terminal blocks can be added at the top and bottom of the flush-mounting box with no need for any additional mounting support, or on flat bars via the chassis



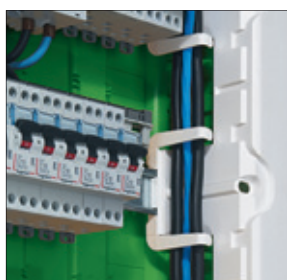
**3 CABLE ENTRIES**  
Solid knock-out cable entries to prevent concrete accidentally entering the cabinet via unused entries. Positions for cable ties enable conduits to be secured



**4 ERGONOMIC CHASSIS**  
Self-guided chassis for even more time-saving during installation



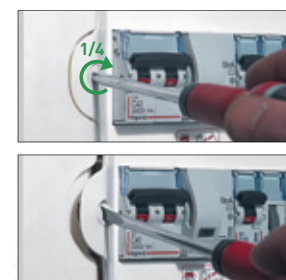
**5 ADJUSTMENT OF THE CHASSIS**  
Oblong holes to adjust for any uneven mounting



**6 WIRING**  
The integrated guide rings provide optimised cable management at the sides



**7 SIMPLIFIED ACCESS TO TERMINAL BLOCKS**  
Chassis with removable, pivoting top and bottom parts for easy access to the terminal blocks



**8 FACEPLATES**  
1/4 turn captive screws with automatic raising system for easy extraction (patented Legrand system). The faceplates can be removed one row at a time (from 2-row version upwards). Installation is guided

## A COMPLETE RANGE OF ACCESSORIES

- Joining kit for masonry
- Mounting kit for dry partitions
- Horizontal divider (from 2-row version upwards)
- Key lock
- Blanking plates



- Perforated plates for fitting non-modular equipment<sup>1</sup>



- Flat bar 12 x 2 cm for installing additional terminal blocks<sup>1</sup>



- Cuttable solid faceplates<sup>1</sup>

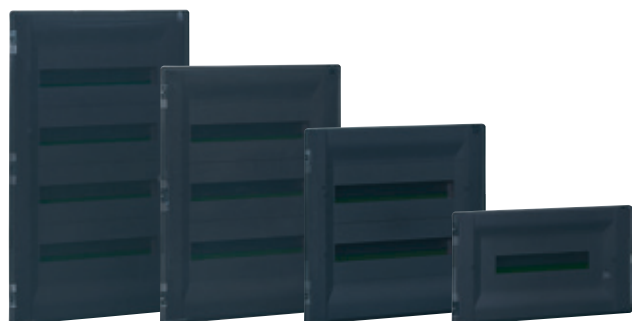


- Additional blanking plates

1 : For 18 modules/row cabinets only

# Flush-mounting cabinets Practibox<sup>3</sup>

from 8 to 72 modules



4 017 09      4 017 08      4 017 07      4 017 06



4 017 19      4 017 18      4 017 17      4 017 16



0 019 66

Technical characteristics p. 5

Class II  
 IP 40 - IK 07 with door  
 Self-extinguishing: resistance to incandescent wire 850 °C  
 Conform to IEC 60670-24 and IEC 62208 : allows to achieve assemblies conform to IEC 61439-3

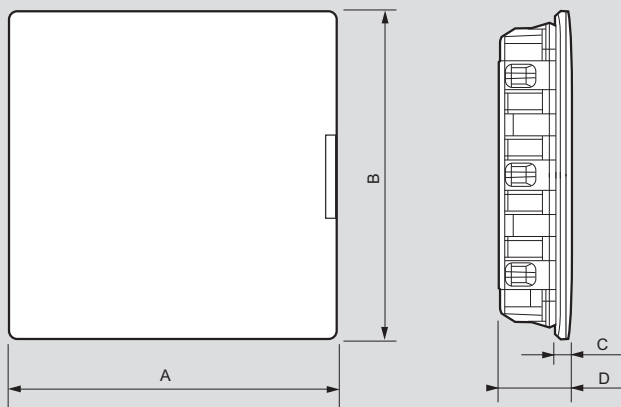
| Pack | Cat.Nos                    |                                        | Flush-mounting distribution cabinets                                                                                                                                                                                                                                                                                                                                                                                                                                                                                             |                   |             |            |            |
|------|----------------------------|----------------------------------------|----------------------------------------------------------------------------------------------------------------------------------------------------------------------------------------------------------------------------------------------------------------------------------------------------------------------------------------------------------------------------------------------------------------------------------------------------------------------------------------------------------------------------------|-------------------|-------------|------------|------------|
|      |                            |                                        | Box for masonry or dry partitions (with dry partitions kit Cat.No 4 017 24)<br>Supplied with:<br>- removable chassis with  rails fitted<br>- reversible door (door + faceplate for 1-row cabinets)<br>- removable faceplates for each row (for 2, 3 and 4-row cabinets)<br>- IP 2X screw terminal blocks<br>- blanking plates (5 modules, separable per module or 1/2 module, for 2, 3 and 4-row cabinets)<br>Spacing between rails 150 mm<br>Door opening : 180°<br>Can be equipped with lock and key n° 850<br>Cat.No 0 019 66 |                   |             |            |            |
|      |                            |                                        | <b>8/12 modules per row with transparent door</b>                                                                                                                                                                                                                                                                                                                                                                                                                                                                                |                   |             |            |            |
|      |                            |                                        | Flush-mounting box                                                                                                                                                                                                                                                                                                                                                                                                                                                                                                               |                   |             |            |            |
|      |                            |                                        | Number of rows                                                                                                                                                                                                                                                                                                                                                                                                                                                                                                                   | Number of modules | Height (mm) | Width (mm) | Depth (mm) |
|      | With earth terminal blocks | With earth and neutral terminal blocks |                                                                                                                                                                                                                                                                                                                                                                                                                                                                                                                                  |                   |             |            |            |
| 1    | 4 017 01                   | 4 017 51                               | 1                                                                                                                                                                                                                                                                                                                                                                                                                                                                                                                                | 8                 | 186         | 232        | 80         |
| 1    | 4 017 02                   | 4 017 52                               | 1                                                                                                                                                                                                                                                                                                                                                                                                                                                                                                                                | 12                | 222         | 304        | 80         |
| 1    | 4 017 03                   | 4 017 53                               | 2                                                                                                                                                                                                                                                                                                                                                                                                                                                                                                                                | 24                | 372         | 304        | 85         |
| 1    | 4 017 04                   | 4 017 54                               | 3                                                                                                                                                                                                                                                                                                                                                                                                                                                                                                                                | 36                | 522         | 304        | 85         |
|      |                            |                                        | <b>8/12 modules per row with white door RAL 9003</b>                                                                                                                                                                                                                                                                                                                                                                                                                                                                             |                   |             |            |            |
| 1    | 4 017 11                   | 4 017 61                               | 1                                                                                                                                                                                                                                                                                                                                                                                                                                                                                                                                | 8                 | 186         | 232        | 80         |
| 1    | 4 017 12                   | 4 017 62                               | 1                                                                                                                                                                                                                                                                                                                                                                                                                                                                                                                                | 12                | 222         | 304        | 80         |
| 1    | 4 017 13                   | 4 017 63                               | 2                                                                                                                                                                                                                                                                                                                                                                                                                                                                                                                                | 24                | 372         | 304        | 85         |
| 1    | 4 017 14                   | 4 017 64                               | 3                                                                                                                                                                                                                                                                                                                                                                                                                                                                                                                                | 36                | 522         | 304        | 85         |
|      |                            |                                        | <b>18 modules per row with transparent door</b>                                                                                                                                                                                                                                                                                                                                                                                                                                                                                  |                   |             |            |            |
| 1    | 4 017 06                   | 4 017 56                               | 1                                                                                                                                                                                                                                                                                                                                                                                                                                                                                                                                | 18                | 248         | 436        | 85         |
| 1    | 4 017 07                   | 4 017 57                               | 2                                                                                                                                                                                                                                                                                                                                                                                                                                                                                                                                | 36                | 456         | 436        | 85         |
| 1    | 4 017 08                   | 4 017 58                               | 3                                                                                                                                                                                                                                                                                                                                                                                                                                                                                                                                | 54                | 606         | 436        | 91         |
| 1    | 4 017 09                   | 4 017 59                               | 4                                                                                                                                                                                                                                                                                                                                                                                                                                                                                                                                | 72                | 756         | 436        | 91         |
|      |                            |                                        | <b>18 modules per row with white door RAL 9003</b>                                                                                                                                                                                                                                                                                                                                                                                                                                                                               |                   |             |            |            |
| 1    | 4 017 16                   | 4 017 66                               | 1                                                                                                                                                                                                                                                                                                                                                                                                                                                                                                                                | 18                | 248         | 436        | 85         |
| 1    | 4 017 17                   | 4 017 67                               | 2                                                                                                                                                                                                                                                                                                                                                                                                                                                                                                                                | 36                | 456         | 436        | 85         |
| 1    | 4 017 18                   | 4 017 68                               | 3                                                                                                                                                                                                                                                                                                                                                                                                                                                                                                                                | 54                | 606         | 436        | 91         |
| 1    | 4 017 19                   | 4 017 69                               | 4                                                                                                                                                                                                                                                                                                                                                                                                                                                                                                                                | 72                | 756         | 436        | 91         |

| Pack | Cat.Nos  | Accessories                                                                                                                                                                           |
|------|----------|---------------------------------------------------------------------------------------------------------------------------------------------------------------------------------------|
| 1    | 4 017 23 | <b>Horizontal or vertical joining kit</b><br>For joining 2 cabinets when installed in masonry                                                                                         |
| 1    | 4 017 24 | <b>Flush-mounting kit for dry partitions</b><br>For installation of Practibox <sup>3</sup> cabinets in dry partitions                                                                 |
| 1    | 4 017 22 | <b>Horizontal partition for 18 modules per row cabinets</b><br>For 2, 3 or 4-rows cabinets                                                                                            |
| 1    | 4 017 25 | <b>Plain faceplate for 18 modules per row cabinets</b><br>For 2, 3 or 4-rows cabinets<br>Allow fitting of non-modular equipments such as control and signalling units                 |
| 1    | 4 017 26 | <b>Perforated plates for 18 modules per row cabinets</b><br>To be used instead of the one  rail when integrating non-modular products<br>For 2, 3 or 4-rows cabinets<br>Height 150 mm |
| 1    | 4 017 27 | <b>12x2 flat bar for IP 2X terminal blocks for 18 modules per row cabinets</b><br>For 2, 3 or 4-rows cabinets<br>Allow fitting of additional IP 2X terminal blocks                    |
| 1    | 0 019 66 | <b>Key lock</b><br>To be fitted on white or transparent doors, starting from 3 rows of 12 modules cabinets<br>Supplied with key n° 850                                                |
|      |          | <b>Blanking plates</b><br>White RAL 9003<br>Separable per module or 1/2 module                                                                                                        |
| 20   | 0 016 60 | 5 modules                                                                                                                                                                             |
| 10   | 0 016 62 | 13 modules                                                                                                                                                                            |
| 10   | 0 016 64 | 18 modules                                                                                                                                                                            |

# Flush-mounting cabinets Practibox<sup>3</sup>

from 18 to 72 modules

## ■ Dimensions



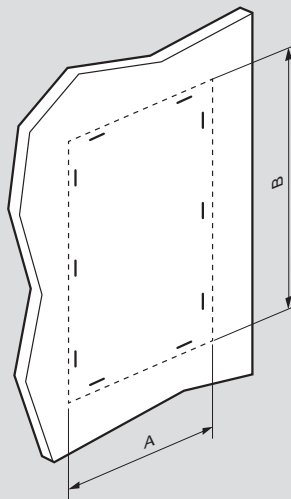
| Cat.Nos           | Dimensions (mm) |     |    |     |
|-------------------|-----------------|-----|----|-----|
|                   | A               | B   | C  | D   |
| 4 017 01/11/51/61 | 286             | 208 | 20 | 100 |
| 4 017 02/12/52/62 | 359             | 246 | 20 | 100 |
| 4 017 03/13/53/63 | 359             | 396 | 20 | 105 |
| 4 017 04/14/54/64 | 359             | 546 | 20 | 105 |
| 4 017 06/16/56/66 | 493             | 288 | 20 | 105 |
| 4 017 07/17/57/67 | 493             | 496 | 20 | 105 |
| 4 017 08/18/58/68 | 493             | 650 | 20 | 111 |
| 4 017 09/19/59/69 | 493             | 800 | 20 | 111 |

## ■ Number of connections per neutral and earth terminal block (supplied with enclosure)

| Enclosure Cat.Nos | Neutral terminal blocks Screw connection |                        | Earth terminal blocks Screw connection |                        |
|-------------------|------------------------------------------|------------------------|----------------------------------------|------------------------|
|                   | 1.5 - 16 mm <sup>2</sup>                 | 6 - 25 mm <sup>2</sup> | 1.5 - 16 mm <sup>2</sup>               | 6 - 25 mm <sup>2</sup> |
| 4 017 01/11       | -                                        | -                      | 8                                      | -                      |
| 4 017 02/12       | -                                        | -                      | 12                                     | 1                      |
| 4 017 03/13       | -                                        | -                      | 16                                     | 1                      |
| 4 017 04/14       | -                                        | -                      | 21                                     | 1                      |
| 4 017 06/16       | -                                        | -                      | 12                                     | 1                      |
| 4 017 07/17       | -                                        | -                      | 16                                     | 1                      |
| 4 017 08/18       | -                                        | -                      | 21                                     | 1                      |
| 4 017 09/19       | -                                        | -                      | 33                                     | 2                      |
| 4 017 51/61       | 8                                        | -                      | 8                                      | -                      |
| 4 017 52/62       | 8                                        | -                      | 12                                     | 1                      |
| 4 017 53/63       | 2 x 8                                    | -                      | 16                                     | 1                      |
| 4 017 54/64       | 3 x 8                                    | -                      | 21                                     | 1                      |
| 4 017 56/66       | 12                                       | 1                      | 12                                     | 1                      |
| 4 017 57/67       | 2 x 8                                    | -                      | 16                                     | 1                      |
| 4 017 58/68       | 3 x 8                                    | -                      | 21                                     | 1                      |
| 4 017 59/69       | 4 x 8                                    | -                      | 33                                     | 2                      |

## ■ Wall cutting when installing the boxes in dry partitions or masonry

For dry partitions use the flush-mounting kit Cat.No 4 017 24



| Cat.Nos           | Dimensions for dry partitions (mm) |     | Dimensions for masonry (mm) |       |
|-------------------|------------------------------------|-----|-----------------------------|-------|
|                   | A                                  | B   | A                           | B     |
| 4 017 01/11/51/61 | 233                                | 187 | > 233                       | > 187 |
| 4 017 02/12/52/62 | 305                                | 223 | > 305                       | > 223 |
| 4 017 03/13/53/63 | 305                                | 373 | > 305                       | > 373 |
| 4 017 04/14/54/64 | 305                                | 523 | > 305                       | > 523 |
| 4 017 06/16/56/66 | 437                                | 249 | > 437                       | > 249 |
| 4 017 07/17/57/67 | 437                                | 454 | > 437                       | > 454 |
| 4 017 08/18/58/68 | 437                                | 607 | > 437                       | > 607 |
| 4 017 09/19/59/69 | 437                                | 757 | > 437                       | > 757 |

## ■ Number of blanking plates supplied per enclosure

| Enclosure Cat.Nos | Number of blanking plates 5 modules |
|-------------------|-------------------------------------|
| 4 017 01/11/51/61 | -                                   |
| 4 017 02/12/52/62 | 1                                   |
| 4 017 03/13/53/63 | 1                                   |
| 4 017 04/14/54/64 | 2                                   |
| 4 017 06/16/56/66 | 1                                   |
| 4 017 07/17/57/67 | 2                                   |
| 4 017 08/18/58/68 | 2                                   |
| 4 017 09/19/59/69 | 2                                   |



EXB 1.4060 - September 2018

## FOLLOW US ON

@ [www.legrand.com](http://www.legrand.com)

 [www.youtube.com/legrand](http://www.youtube.com/legrand)

 [twitter.com/legrand\\_news](https://twitter.com/legrand_news)



### Head office

and International Department  
87045 Limoges Cedex - France

☎: + 33 (0) 5 55 06 87 87

Fax: + 33 (0) 5 55 06 74 55